

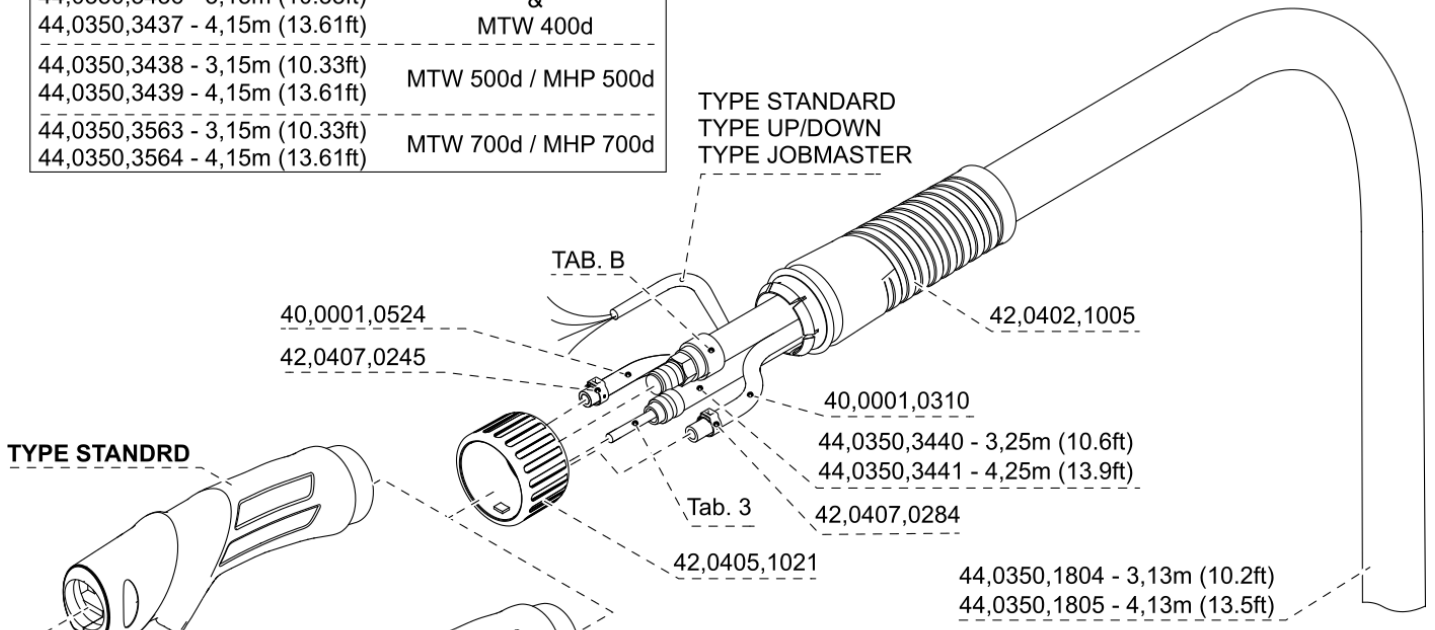
MTW 250d /F++/3,5m/45°

4,035,945,000

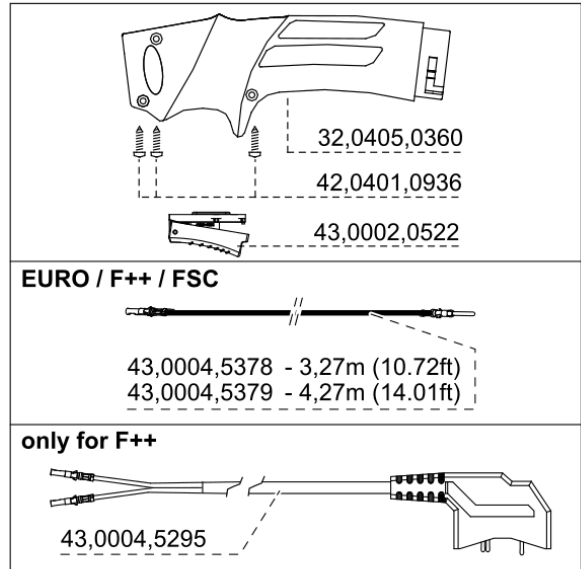
# MTW 250d / F++/3,5m/45° (4,035,945,000)

## MTW / MHP W ML

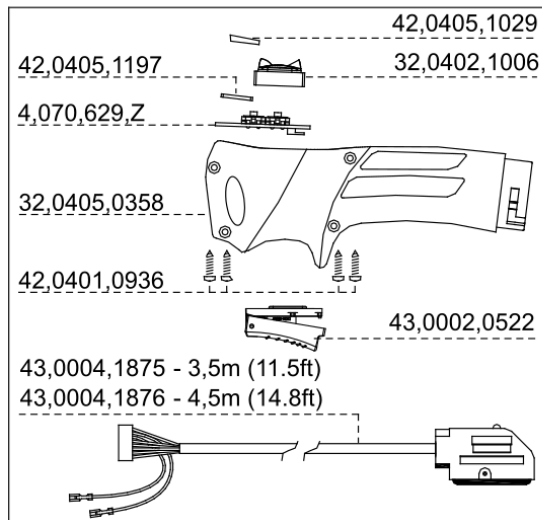
TAB. B	
44,0350,3436 - 3,15m (10.33ft)	MTW 250d & MTW 400d
44,0350,3437 - 4,15m (13.61ft)	
44,0350,3438 - 3,15m (10.33ft)	MTW 500d / MHP 500d
44,0350,3439 - 4,15m (13.61ft)	
44,0350,3563 - 3,15m (10.33ft)	MTW 700d / MHP 700d
44,0350,3564 - 4,15m (13.61ft)	



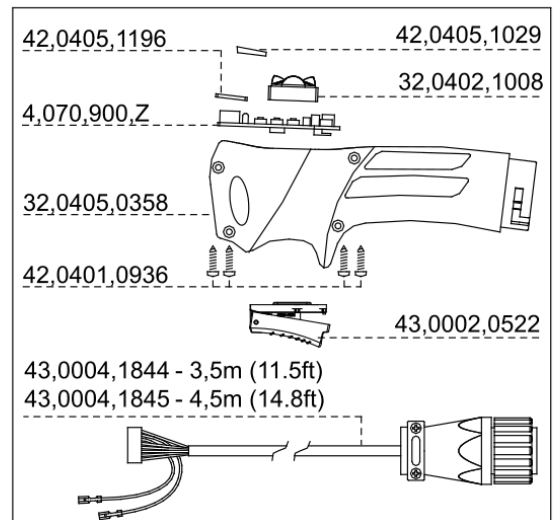
### TYPE STANDARD

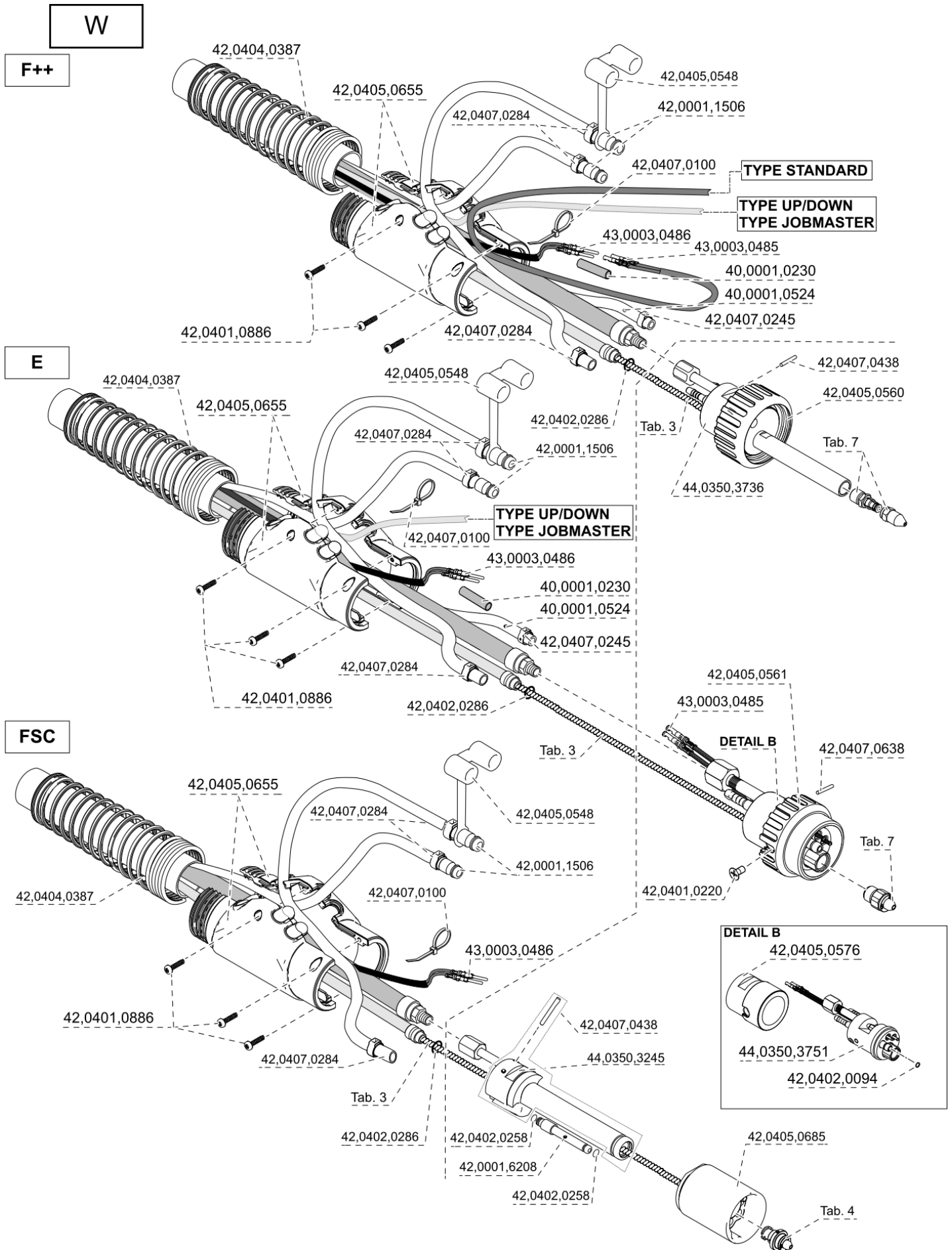


### TYPE UP/DOWN

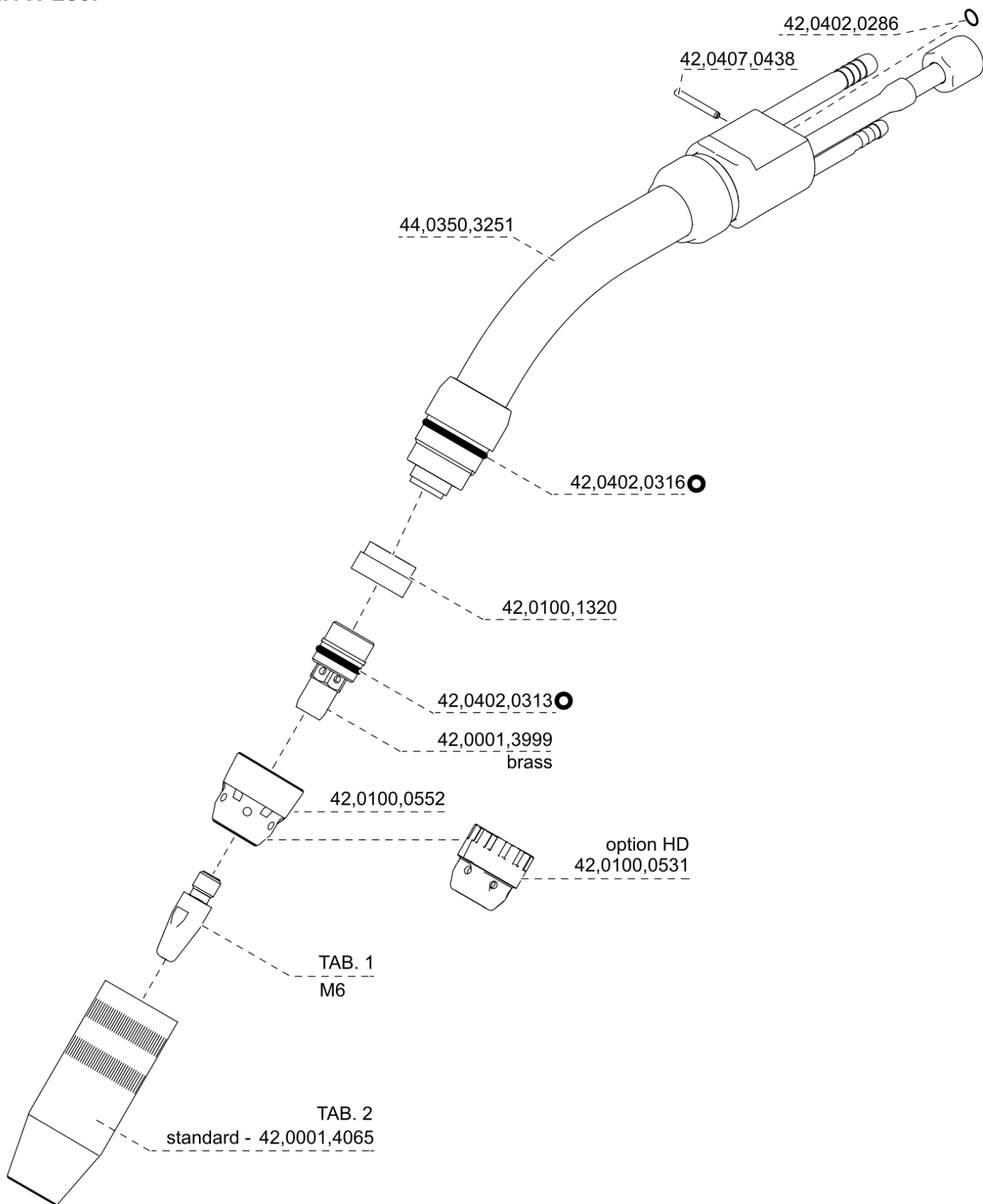


### TYPE JOBMASTER





**MTW 250i**



TAB. 1 <b>CuCrZr</b>		Ø mm	Ø inch	Part No.
		0,6	0,023	42,0001,4928
		0,7	0,027	42,0001,6524,10
		0,8	0,030	42,0001,4461,10
		0,9	0,035	42,0001,4462,10
		1,0	0,040	42,0001,4463,10
		1,1	0,043	42,0001,6527,10
		1,2	0,045	42,0001,4464,10
		1,3	0,051	42,0001,6529,10
		1,4	0,052	42,0001,4465,10
		1,5	0,059	42,0001,6522,10
		1,6	0,062	42,0001,4466,10
		0,7	0,027	42,0001,6482,10
		0,8	0,030	42,0001,6464,10
		0,9	0,035	42,0001,6465,10
		1,0	0,040	42,0001,6466,10
		1,1	0,043	42,0001,6483,10
		1,2	0,045	42,0001,6467,10
		1,3	0,051	42,0001,6484,10
		1,4	0,052	42,0001,6468,10
		1,5	0,059	42,0001,6485,10
		1,6	0,062	42,0001,6469,10
		1,8	0,071	42,0001,6470,10
	2,0	0,078	42,0001,6471,10	
	2,4	0,095	42,0001,6472,10	
	2,8	0,110	42,0001,4642,10	
<b>Al</b> 		0,8	0,030	42,0001,6525,10
		1,0	0,040	42,0001,6526,10
		1,2	0,045	42,0001,6528,10
		1,6	0,062	42,0001,6523,10
<b>Al</b> 		0,8	0,030	42,0001,6537,10
		1,0	0,040	42,0001,4750,10
		1,2	0,045	42,0001,4751,10
		1,6	0,062	42,0001,4752,10

TAB. 1 <b>E-Cu</b>		Ø mm	Ø inch	Part No.
		0,9	0,035	42,0001,7025,10
		1,0	0,040	42,0001,7026,10
		1,2	0,045	42,0001,7027,10
		0,9	0,035	42,0001,7028,10
		1,0	0,040	42,0001,7029,10
		1,2	0,045	42,0001,7030,10

MTW 250d /F++/3,5m/45° (4,035,945,000)

**TAB. 2**

		d1		d2		d3		L		Part No.		
		mm	inch	mm	inch	mm	inch	mm	inch			
MTW 250i	MTG 250i	M20x2										
		8	0.31	22	0.86	10,4	0.41	58	2.28	42,0001,6664		standard MTW 250i Braze
		10	0.39	22	0.86	13,0	0.51	54	2.13	42,0001,4083		
		13	0.51	22	0.86	16,1	0.63	54	2.13	42,0001,4799		
		13	0.51	22	0.86	16,1	0.63	56	2.20	42,0001,4477		standard MTB 250i G/W R
		10	0.39	22	0.86	13,0	0.51	58	2.28	42,0001,4084		
		13	0.51	22	0.86	16,1	0.63	56	2.20	42,0001,4498	AI	
		13	0.51	22	0.86	16,1	0.63	58	2.28	42,0001,4065		standard MTG/MTW 250i
		15	0.59	22	0.86	18,3	0.72	58	2.28	42,0001,4493		
		18	0.71	22	0.86	22	0.87	58	2.28	42,0001,4055		
MTW 400i/500i	MTG 320i/400i	M23x2										
		13	0.51	25	0.98	16,4	0.64	59	2.32	42,0001,4085		
		15	0.59	25	0.98	18,6	0.73	59	2.32	42,0001,4048		
		13	0.51	25	0.98	16,4	0.64	61	2.40	42,0001,4086		standard MTB 320i G R
		15	0.59	25	0.98	18,1	0.71	61	2.40	42,0001,4474		standard MTB 400i W R
		15	0.59	27	1.06	20,2	0.80	61	2.40	42,0001,4789		MTB 400i W R, heavy duty
		17	0.71	25	0.98	20,8	0.82	61	2.40	42,0001,4476		standard MTB 500i W R
		13	0.51	25	0.98	16,4	0.64	61	2.40	42,0001,4497	AI	
		13	0.51	25	0.98	16,4	0.64	63	2.48	42,0001,4080		standard MTG 320i
		15	0.59	25	0.98	18,6	0.73	61	2.40	42,0001,4496	AI	
		15	0.59	25	0.98	18,6	0.73	63	2.48	42,0001,4051		standard MTW 400i
		17	0.71	25	0.98	20,8	0.82	61	2.40	42,0001,4494	AI	
		17	0.71	25	0.98	20,8	0.82	63	2.48	42,0001,4050		standard MTW500i,330i W R long
		17	0.71	27	1.06	20,8	0.82	63	2.48	42,0001,4216		MTW 500i, heavy duty
		21	0.82	25	0.98	25,0	0.98	63	2.48	42,0001,4054		
		15	0.59	25	0.98	18,6	0.73	68	2.68	42,0001,4052		
		17	0.71	25	0.98	20,8	0.82	68	2.68	42,0001,4049		
		13	0.51	25	0.98	16,4	0.64	71	2.80	42,0001,4087		
		15	0.59	25	0.98	18,6	0.73	71	2.80	42,0001,4788		
		13	0.51	25	0.98	16,4	0.64	73	2.87	42,0001,4088		
15	0.59	25	0.98	18,6	0.73	73	2.87	42,0001,4475		standard MTB 400i G R		
15	0.59	27	1.06	18,6	0.73	73	2.87	42,0001,4790		MTB 400i G R, heavy duty		
15	0.59	25	0.98	18,6	0.73	73	2.87	42,0001,4495	AI			
15	0.59	25	0.98	18,6	0.73	75	2.95	42,0001,4045		standard MTG 400i		
17	0.71	25	0.98	20,8	0.82	75	2.95	42,0001,4043				
21	0.82	25	0.98	25,0	0.98	75	2.95	42,0001,4053				
15	0.59	25	0.98	18,6	0.73	80	3.15	42,0001,4047				

**TAB. 12**

		d1		d2		d3		L		Part No.		
		mm	inch	mm	inch	mm	inch	mm	inch			
MTB W400i W R H	M23x2	15	0.59	ø25	0.98	18,6	0.73	61	2.40	44,0350,3935		standard MTB 400i W R H
MTB W500i W R H		17	0.66	ø25	0.98	20,8	0.82	61	2.40	44,0350,3936		standard MTB 500i W R H

**TAB. 5**

MTB 700i  
MTW 750i

	d1		d2		d3		L		Part No.		
	mm	inch	mm	inch	mm	inch	mm	inch			
①	17	0.66	ø29	1.10	22	0.86	71	2,79	44,0350,3966		Standard MTW 700i/750i
②	17	0.66	ø29	1.10	22	0.86	16	0.63	42,0001,4257		Standard MTW 700i/750i
①	17	0.66	ø29	1.10	22	0.86	76	3.00	44,0350,3942		HD
②	17	0.66	ø29	1.10	22	0.86	21	0.83	42,0001,4670		HD
①	17	0.66	ø29	1.10	22	0.86	68,5	2.70	44,0350,4079		Standard MTB 700i W R
②	17	0.66	ø29	1.10	22	0.86	13,5	0.53	42,0001,4868		Standard MTB 700i W R
①	13	0.51	ø29	1.10	22	0.86	69	2.72	44,0350,0226		Laser Hybrid
②	13	0.51	ø29	1.10	22	0.86	14	0.55	42,0001,0142		Laser Hybrid

MTW 250d /F++/3,5m/45° (4,035,945,000)

**TAB. 6**

		d1		d2		d3		L		Part No.		
		mm	inch	mm	inch	mm	inch	mm	inch			
<b>MTB G 330i R</b>	<b>MTB W 330i R</b>	M23x2										
		13	0.51	ø25	0.98	16	0.63	37	1.46	42,0001,4533		<b>not possible at MTB 330i G R H</b>
		13	0.51	ø25	0.98	16	0.63	41	1.61	42,0001,4487		standard MTB 330i W R / G ML
		13	0.51	ø25	0.98	16	0.63	39,5	1.61	42,0001,4534	AI	
		13	0.51	ø25	0.98	16	0.63	39,5	1.56	42,0001,4902		standard MTB 330i G R   G R H
		15	0.59	ø25	0.98	18	0.72	39,5	1.56	42,0001,5023		

**TAB. 7** sleeve

		d1		d2		d3		L		Part No.		
		mm	inch	mm	inch	mm	inch	mm	inch			
<b>MTB W 330i W R H</b>	M23x2	13	0.51	ø25	0.98	16	0.63	41	1,61	42,0001,4486		standard MTB 330i W R H

**TAB. 8** narrow gap

		d1		d2		d3		L		Part No.		
		mm	inch	mm	inch	mm	inch	mm	inch			
<b>MTB W 330i R</b>	<b>MTB G 330i R</b>	M23x2										
		13	0.51	ø25	0.98	16	0.63	56	2.21	42,0001,4745		
		13	0.51	ø25	0.98	16	0.63	50	1.97	42,0001,6772		

**TAB. 9**

		d1		d2		d3		L		Part No.		
		mm	inch	mm	inch	mm	inch	mm	inch			
<b>MTB G 330i R long</b>	M23x2	13	0.51	ø27	1.06	18	0.72	53	2.09	42,0001,4858		standard MTB 330i G R
		15	0.59	ø27	1.06	18	0.72	53	2.09	42,0001,4857		
		15	0.59	ø27	1.06	18	0.72	57	2.09	42,0001,4856		

**TAB. 10**

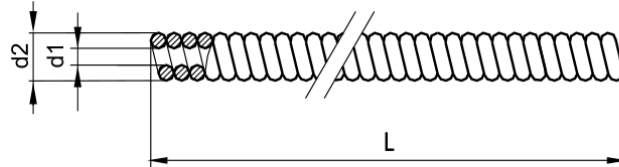
		d1		d2		d3		L		Part No.		
		mm	inch	mm	inch	mm	inch	mm	inch			
<b>MTG 550i</b>	M25x3	15	0.59	ø27	1.06	19	0.75	67	2.64	44,0350,2020		
		17	0.67	ø27	1.06	21	0.83	67	2.64	44,0350,2021		
		15	0.59	ø27	1.06	19	0.75	74	2.91	44,0350,1991		
		17	0.67	ø27	1.06	21	0.83	74	3.91	44,0350,1995		
		15	0.59	ø27	1.06	19	0.75	80,5	3.17	44,0350,1987		
		15	0.59	ø27	1.06	19	0.75	82,5	3.25	44,0350,1988		
		17	0.67	ø27	1.06	21	0.83	83,5	3.29	44,0350,3179		
		18	0.71	ø27	1.06	22	0.89	87,5	3.44	44,0350,3180		standard MTG 550i

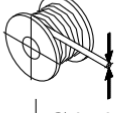
**TAB. 11**

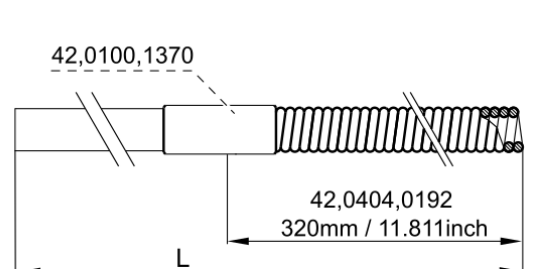
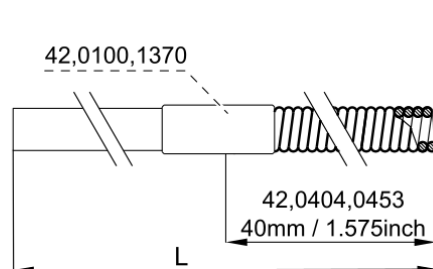
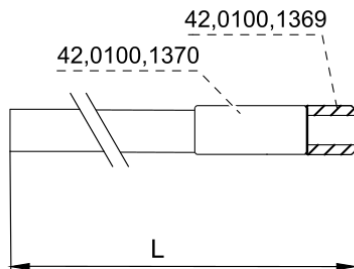
		d1		d2		d3		L		Part No.		
		mm	inch	mm	inch	mm	inch	mm	inch			
<b>MTB 400/500i W R</b>	<b>MTB 320/400i G R</b>	M23x2										
		13	0.51	ø25	0.98	16	0.63	62,5	2.46	42,0001,4917		standard MTB 320i G / 400/500i W
		10	0.39	ø25	0.98	16	0.63	68,0	2.68	42,0001,6715		
		13	0.51	ø25	0.98	16	0.63	68,0	2.68	42,0001,6716		
		13	0.51	ø25	0.98	16	0.63	74,5	2.93	42,0001,4918		standard MTB 400i G


**TAB. 15**

		d1		d2		d3		L		Part No.		
		mm	inch	mm	inch	mm	inch	mm	inch			
<b>MTW 500i</b>	plug	17	0.66	ø27	1.06	22,2	0.87	85	3.34	44,0350,2036		standard MTB 500i W

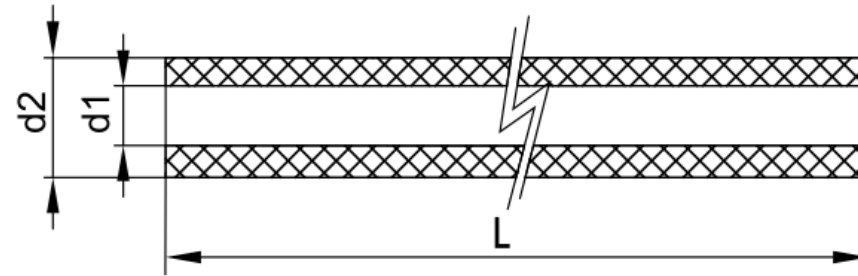
**Tab. 3**


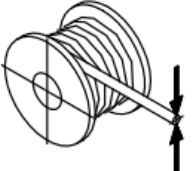
material			d1		d2		Part No. L		Part No. L		Part No. L	
	Ø mm	Ø inch	mm	inch	mm	inch	5m	16.4feet	15m	49.2feet	50m	160feet
Steel liner	0,8	.030	1,4	.055	4,4	.176	40,0002,0040,005		40,0002,0040,015		40,0002,0040,050	
Steel liner	0,9-1,0	.035/.040	1,6	.062	4,8	.189	40,0002,0041,005		40,0002,0041,015		40,0002,0041,050	
Steel liner	1,2	.045	1,9	.074	4,9	.192	40,0002,0042,005		40,0002,0042,015		40,0002,0042,050	
Steel liner	1,4-1,6	.052/.062	2,5	.098	4,9	.192	40,0002,0043,005		40,0002,0043,015		40,0002,0043,050	
CrNi liner	0,8	.030	1,4	.055	4,4	.176	40,0002,0044,005		40,0002,0044,015		40,0002,0044,050	
CrNi liner	0,9-1,0	.035/.040	1,6	.062	4,8	.189	40,0002,0045,005		40,0002,0045,015		40,0002,0045,050	
CrNi liner	1,2	.045	1,9	.074	4,9	.192	40,0002,0046,005		40,0002,0046,015		40,0002,0046,050	
CrNi liner	1,4-1,6	.052/.062	2,5	.098	4,9	.192	40,0002,0047,005		40,0002,0047,015		40,0002,0047,050	
Steel liner coated	0,8	.030	1,4	.055	4,4	.176	40,0002,0052,005		40,0002,0052,015		40,0002,0052,050	
Steel liner coated	0,9-1,0	.035/.040	1,6	.062	4,8	.189	40,0002,0053,005		40,0002,0053,015		40,0002,0053,050	
Steel liner coated	1,2	.045	1,9	.074	4,9	.192	40,0002,0054,005		40,0002,0054,015		40,0002,0054,050	
Steel liner coated	1,4-1,6	.052/.062	2,5	.098	4,9	.192	40,0002,0055,005		40,0002,0055,015		40,0002,0055,050	

**Tab. 3**
**combi liner W AL**
**combi liner G AL**
**combi inner liner G**


		L		d1		d2		combi liner W AL	combi liner G AL	combi inner liner G
Ø mm	Ø inch	m	feet	mm	inch	mm	inch	Part No.	Part No.	Part No.
0,8	.030	2,0	6.5	1,2	.059	4,7	.185	44,0350,3388	44,0350,3400	44,0350,5550
0,8	.030	3,8	12.4	1,2	.059	4,7	.185	44,0350,3392	44,0350,3404	44,0350,5513
0,8	.030	4,8	15.7	1,2	.059	4,7	.185	44,0350,3396	44,0350,3408	44,0350,5518
0,9-1,0	.035/.040	2,0	6.5	1,5	.062	4,7	.185	44,0350,3389	44,0350,3401	44,0350,5551
0,9-1,0	.035/.040	3,8	12.4	1,5	.062	4,7	.185	44,0350,3393	44,0350,3405	44,0350,5514
0,9-1,0	.035/.040	4,8	15.7	1,5	.062	4,7	.185	44,0350,3397	44,0350,3409	44,0350,5519
1,2	.045	2,0	6.5	1,8	0.74	4,7	.185	44,0350,3390	44,0350,3402	44,0350,5552
1,2	.045	3,8	12.4	1,8	0.74	4,7	.185	44,0350,3394	44,0350,3406	44,0350,5515
1,2	.045	4,8	15.7	1,8	0.74	4,7	.185	44,0350,3398	44,0350,3410	44,0350,5520
1,4-1,6	.052/.062	2,0	6.5	2,4	.098	4,7	.185	44,0350,3391	44,0350,3403	44,0350,5553
1,4-1,6	.052/.062	3,8	12.4	2,4	.098	4,7	.185	44,0350,3395	44,0350,3407	44,0350,5516
1,4-1,6	.052/.062	4,8	15.7	2,4	.098	4,7	.185	44,0350,3399	44,0350,3411	44,0350,5521
2,0	.045	2,0	6.5	1,2	.059	4,7	.185	44,0350,3615	44,0350,3618	44,0350,5554
2,0	.045	3,8	12.4	3,0	.118	4,7	.185	44,0350,3616	44,0350,3619	44,0350,5517
2,0	.045	4,8	15.7	3,0	.118	4,7	.185	44,0350,3617	44,0350,3620	44,0350,5522

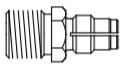
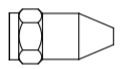


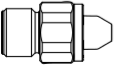
**Tab. 3.1**


material			d1		d2		Part No.	Part No.	Part No.
	Ø mm	Ø inch	mm	inch	mm	inch	L 10m 32.8feet	L 30m 98feet	L 100m 328feet
Graphit	0,8	.030	1,2	.047	4,7	.185	40,0001,0529,010	40,0001,0529,030	40,0001,0529,100
Graphit	0,9 - 1,0	.035-.040	1,5	.059	4,7	.185	40,0001,0530,010	40,0001,0530,030	40,0001,0530,100
Graphit	1,2	.045	1,8	.070	4,7	.185	40,0001,0531,010	40,0001,0531,030	40,0001,0531,100
Graphit	1,4 - 1,6	.052-1/16	2,4	.094	4,7	.185	40,0001,0532,010	40,0001,0532,030	40,0001,0532,100
Graphit	0,8	5/64	3,0	.118	4,7	.185	40,0001,0533,010	40,0001,0533,030	40,0001,0533,100


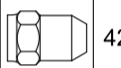
Tab. 7

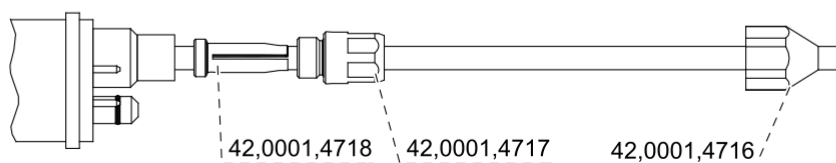
**Fe / CrNi**

	Fe		Part No.	F/F++	Fe		Part No.
	Ø mm	Ø inch			Ø mm	Ø inch	
	0,8	.030	42,0001,5833		0,8	.030	44,0350,3769
	1,0	.040	42,0001,4512		1,0	.040	44,0350,3770
	1,2	.045	42,0001,4512		1,2	.045	44,0350,3771
	1,6	1/16	42,0001,3583		1,6	1/16	44,0350,3772

Euro	Fe		Part No.	colour
	Ø mm	Ø inch		
	0,8	.030	44,0350,3703	grey
	1,0	.040	44,0350,3704	blue
	1,2	.045	44,0350,3705	red
	1,6	1/16	44,0350,3706	black

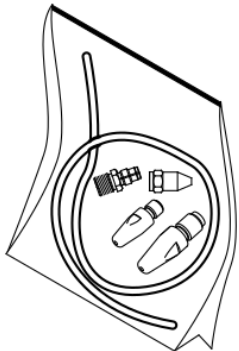
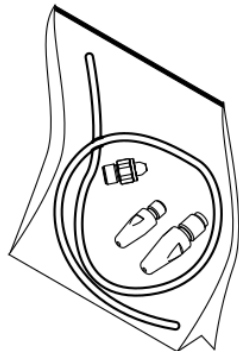
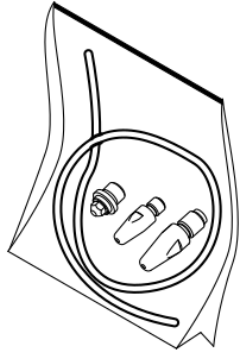
**Al**

	Al		Part No.			Al		Part No.
	Ø mm	Ø inch				Ø mm	Ø inch	
	0,8	.030	42,0001,3583		42,0400,1024	0,8	.030	42,0100,1120 -white
	1,0	.040	42,0001,3583			0,9	.035	42,0100,1119 -blue
	1,2	.045	42,0001,3583			1,0	.040	
	1,6	1/16	42,0001,3583			1,2	.045	42,0100,1003 -red
						1,6	1/16	42,0100,1008 -black

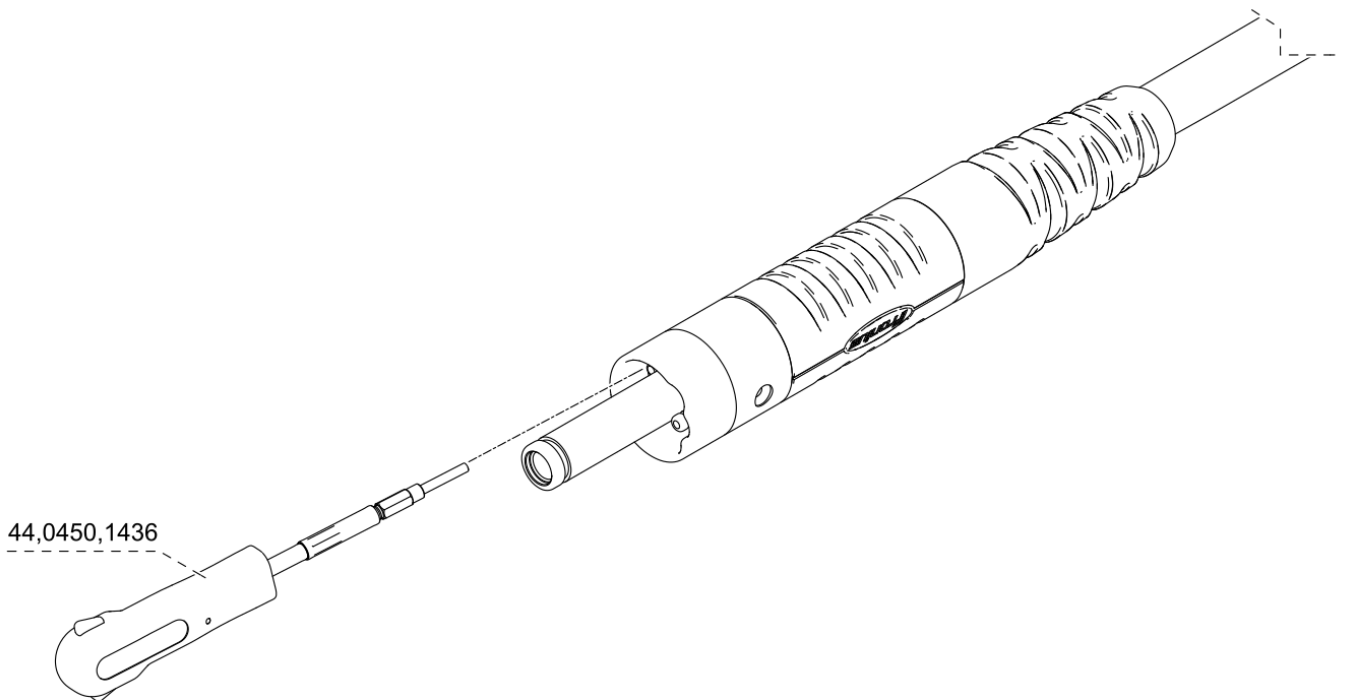
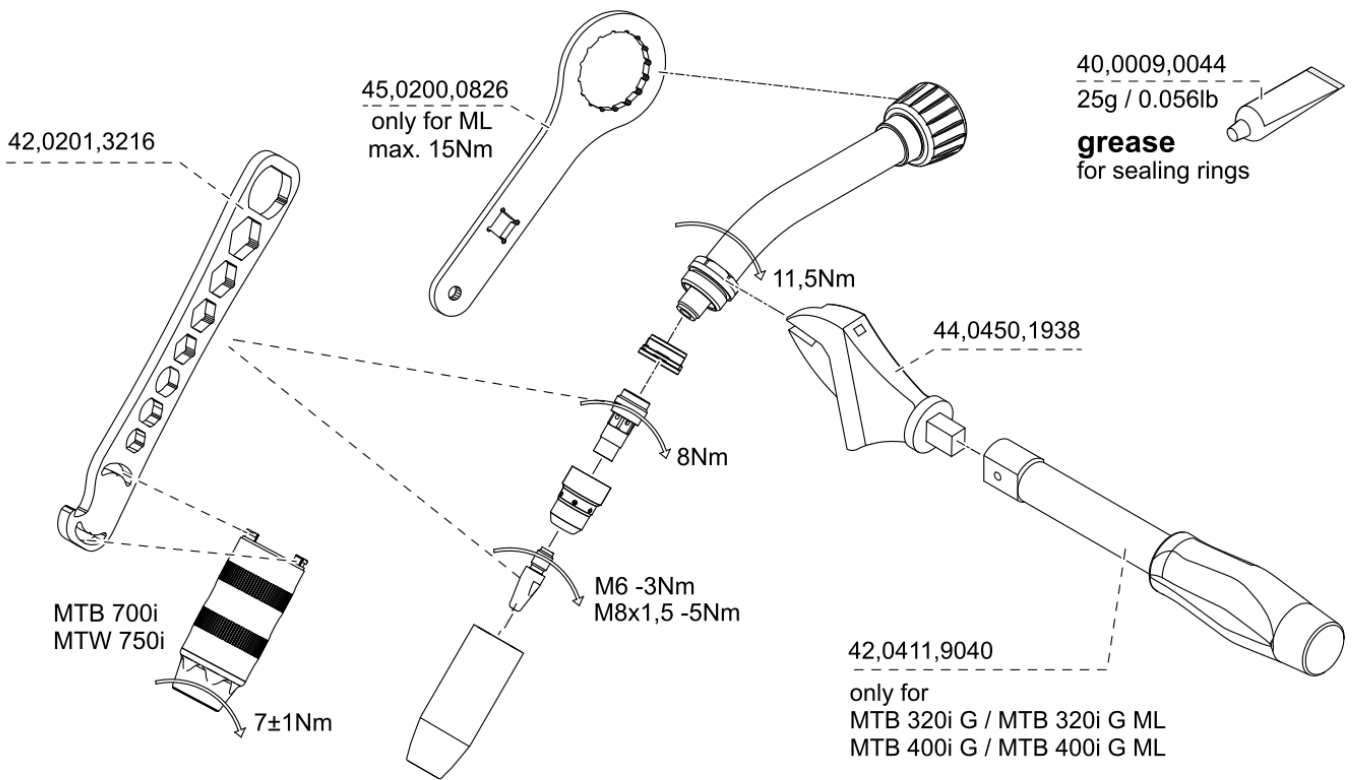
**Euro**


MTW 250d /F++/3,5m/45° (4,035,945,000)

Basic kit 250i / 320i / 400i / 500i / 700i	Ø mm   Ø inch		m   feet		Fe MTG / MTW Part No.	CrNi MTG / MTW Part No.	Alu MTW Part No.	CuSi MTW Part No.	Alu/CuSi MTG Part No.
		0,8	.030	5,0	11,5	44,0350,5117*	44,0350,5158*	44,0350,5135*	44,0350,5144*
	0,9	.035	5,0	14,8	44,0350,5118*	44,0350,5159*	44,0350,5136*	44,0350,5145*	
	1,0	.040	5,0	11,5	44,0350,5119*	44,0350,5160*	44,0350,5137*	44,0350,5146*	
	1,2	.047	5,0	14,8	44,0350,5120*	44,0350,5161*	44,0350,5138*	44,0350,5147*	
	1,4	.052	5,0	11,5	44,0350,5121*	44,0350,5162*	44,0350,5139*	44,0350,5148*	
	1,6	.062	5,0	14,8	44,0350,5122*	44,0350,5163*	44,0350,5140*	44,0350,5149*	

*		
<b>F++</b> <b>Part No. + ,000</b> 44,0350,xxxx,000	<b>E</b> <b>Part No. + ,001</b> 44,0350,xxxx,001	<b>FSC</b> <b>Part No.</b> 44,0350,xxxx
		

**TOOLS**



# MTW 250d /F++/3,5m/45° (4,035,945,000)

Artikelnr.	Bezeichnung	Menge	Einheit
42,0405,1196	Abdeckfenster W5 JM SMD	1	Stk
42,0405,1197	Abdeckfenster W5 U/D SMD	1	Stk
42,0405,0576	Adaptergehäuse Euro ZA	1	Stk
44,0350,3269	Anschlusssteil kpl. MTB W ML	1	Stk
42,0100,1369	Auslaufstück zu Seele MAG02	1	Stk
44,0450,1436	Ausziehwkzg CPC +35mm verläng.	1	Stk
44,0350,5144	BK Al ø0,8 /G CuSi ø0,8 G/W/5m	1	Stk
44,0350,5135	BK Al ø0,8 /W/5m	1	Stk
44,0350,5145	BK Al ø0,9 /G CuSi ø0,9 G/W/5m	1	Stk
44,0350,5136	BK Al ø0,9 /W/5m	1	Stk
44,0350,5146	BK Al ø1,0 /G CuSi ø1,0 G/W/5m	1	Stk
44,0350,5137	BK Al ø1,0 /W/5m	1	Stk
44,0350,5147	BK Al ø1,2 /G CuSi ø1,2 G/W/5m	1	Stk
44,0350,5138	BK Al ø1,2 /W/5m	1	Stk
44,0350,5148	BK Al ø1,4 /G CuSi ø1,4 G/W/5m	1	Stk
44,0350,5139	BK Al ø1,4 /W/5m	1	Stk
44,0350,5149	BK Al ø1,6 /G CuSi ø1,6 G/W/5m	1	Stk
44,0350,5140	BK Al ø1,6 /W/5m	1	Stk
44,0350,5158	BK CrNi ø0,8 /G/W/5m	1	Stk
44,0350,5159	BK CrNi ø0,9 /G/W/5m	1	Stk
44,0350,5160	BK CrNi ø1,0 /G/W/5m	1	Stk
44,0350,5161	BK CrNi ø1,2 /G/W/5m	1	Stk
44,0350,5162	BK CrNi ø1,4 /G/W/5m	1	Stk
44,0350,5163	BK CrNi ø1,6 /G/W/5m	1	Stk
44,0350,5117	BK Fe ø0,8 /G/W/5m	1	Stk
44,0350,5118	BK Fe ø0,9 /G/W/5m	1	Stk
44,0350,5119	BK Fe ø1,0 /G/W/5m	1	Stk
44,0350,5120	BK Fe ø1,2 /G/W/5m	1	Stk
44,0350,5121	BK Fe ø1,4 /G/W/5m	1	Stk
44,0350,5122	BK Fe ø1,6 /G/W/5m	1	Stk
40,0001,0230	Bougierschlauch 3mm/m.G.	1	m
42,0405,0655	Brennergehäuse int. DFS Feder	1	ve
42,0404,0192	Bronzeseele 1,6/0,32m	1	Stk
42,0404,0453	Bronzeseele 2,7x1,0x40mm	1	Stk

# MTW 250d /F++/3,5m/45° (4,035,945,000)

Artikelnr.	Bezeichnung	Menge	Einheit
43,0003,0485	BUCHSENKONTAKT C 1 CPC	1	Stk
40,0002,0044,005	CrNi-Seele blank 0,8 / 5m	1	Stk
40,0002,0044,015	CrNi-Seele blank 0,8 / 15m	1	Stk
40,0002,0044,050	CrNi-Seele blank 0,8 / 50m	1	Stk
40,0002,0045,005	CrNi-Seele blank 1,0 / 5m	1	Stk
40,0002,0045,015	CrNi-Seele blank 1,0 / 15m	1	Stk
40,0002,0045,050	CrNi-Seele blank 1,0 / 50m	1	Stk
40,0002,0046,005	CrNi-Seele blank 1,2 / 5m	1	Stk
40,0002,0046,015	CrNi-Seele blank 1,2 / 15m	1	Stk
40,0002,0046,050	CrNi-Seele blank 1,2 / 50m	1	Stk
40,0002,0047,005	CrNi-Seele blank 1,6 / 5m	1	Stk
40,0002,0047,015	CrNi-Seele blank 1,6 / 15m	1	Stk
40,0002,0047,050	CrNi-Seele blank 1,6 / 50m	1	Stk
42,0405,1029	DISPLAYSCHUTZ W5 JOBMASTER	1	Stk
45,0200,0826	Dr.Schlüssel Überwurfmutter BY	1	Stk
44,0350,3440	Drahtf.Schl. 5,7x1,15 3,25m	1	Stk
44,0350,3441	Drahtf.Schl. 5,7x1,15 4,25m	1	Stk
42,0411,9040	Drehmomentschl. 4-20Nm	1	Stk
42,0001,3999	Düsenstock M6/SW10x28,5 CU	1	Stk
42,0100,1120	Ein/Auslaufdüse ø0,8 grau	1	Stk
42,0100,1119	Ein/Auslaufdüse ø1,0 blau	1	Stk
42,0100,1003	Ein/Auslaufdüse ø1,2 rot	1	Stk
42,0100,1008	Ein/Auslaufdüse ø1,6 schwarz	1	Stk
42,0001,4716	Einlaufdüse f. Graphitseele ø5	1	Stk
44,0350,3769	Einlaufdüse Gasbl./0,8 kompl.	1	Stk
44,0350,3770	Einlaufdüse Gasbl./1,0 kompl.	1	Stk
44,0350,3771	Einlaufdüse Gasbl./1,2 kompl.	1	Stk
44,0350,3772	Einlaufdüse Gasbl./1,6 kompl.	1	Stk
40,0009,0044	Fett O-Ring transparent	1	Stk
42,0401,0886	Furchschr KST 3x12 DeltaPT	3	Stk
42,0001,6715	Gasdüse Engspalt Ø10/Ø25x68 CT	1	Stk
42,0001,4917	Gasdüse Engspalt Ø13/Ø25x62,5	1	Stk
42,0001,6716	Gasdüse Engspalt Ø13/Ø25x68 CT	1	Stk
42,0001,4918	Gasdüse Engspalt Ø13/Ø25x74,5	1	Stk

# MTW 250d /F++/3,5m/45° (4,035,945,000)

Artikelnr.	Bezeichnung	Menge	Einheit
42,0001,6772	Gasdüse Engspalt ø13/ø25x50 CT	1	Stk
42,0001,4745	Gasdüse Engspalt ø13/ø25x56 CT	1	Stk
42,0001,4868	Gasdüsenmundstück Ø17/Ø29x26,5	1	Stk
42,0001,4257	Gasdüsenmundstück Ø17/Ø29x29	1	Stk
42,0001,0142	Gasdüsenmundstück ø13/ø29x	1	Stk
42,0001,4670	Gasdüsenmundstück ø17/29x34 HD	1	Stk
44,0350,4079	Gasdüse W 700i Ø17/Ø29,5x68,5	1	Stk
44,0350,0226	Gasdüse W 700i ø13,2/ø29,5x69	1	Stk
44,0350,3966	Gasdüse W 700i ø17/ø29,5x71	1	Stk
44,0350,3942	Gasdüse W 700i ø17/ø29,5x76 HD	1	Stk
42,0001,4055	Gasdüse zyl ø18/ø22x58 CT	1	Stk
42,0001,4054	Gasdüse zyl ø21,1/ø25x63 CT	1	Stk
42,0001,4053	Gasdüse zyl ø21,1/ø25x75 CT	1	Stk
44,0350,3935	Gasdüse Ø15/Ø25x61 CT/H	1	Stk
44,0350,3936	Gasdüse Ø17/Ø25x61 CT/H	1	Stk
42,0001,4216	Gasdüse Ø17/Ø27x63 CT HD	1	Stk
42,0001,6664	Gasdüse ø8/ø22x57 CT	1	Stk
42,0001,4083	Gasdüse ø10/ø22x54 CT	1	Stk
42,0001,4084	Gasdüse ø10/ø22x58 CT	1	Stk
42,0001,4858	Gasdüse ø13/Ø27x53 CT	1	Stk
42,0001,4799	Gasdüse ø13/ø22x54 CT	1	Stk
42,0001,4477	Gasdüse ø13/ø22x56 CT	1	Stk
42,0001,4498	Gasdüse ø13/ø22x56 CT/C	1	Stk
42,0001,4065	Gasdüse ø13/ø22x58 CT	1	Stk
42,0001,4533	Gasdüse ø13/ø25x37 CT	1	Stk
42,0001,4902	Gasdüse ø13/ø25x39,5 CT	1	Stk
42,0001,4534	Gasdüse ø13/ø25x39,5 CT/C	1	Stk
42,0001,4487	Gasdüse ø13/ø25x41 CT	1	Stk
42,0001,4486	Gasdüse ø13/ø25x41 CT/H	1	Stk
42,0001,4085	Gasdüse ø13/ø25x59 CT	1	Stk
42,0001,4086	Gasdüse ø13/ø25x61 CT	1	Stk
42,0001,4497	Gasdüse ø13/ø25x61 CT/C	1	Stk
42,0001,4080	Gasdüse ø13/ø25x63 CT	1	Stk
42,0001,4087	Gasdüse ø13/ø25x71 CT	1	Stk

# MTW 250d /F++/3,5m/45° (4,035,945,000)

Artikelnr.	Bezeichnung	Menge	Einheit
42,0001,4088	Gasdüse ø13/ø25x73 CT	1	Stk
42,0001,4857	Gasdüse ø15/ø27x53 CT	1	Stk
42,0001,4856	Gasdüse ø15/ø27x57 CT	1	Stk
42,0001,4493	Gasdüse ø15/ø22x58 CT	1	Stk
42,0001,5023	Gasdüse ø15/ø25x39,5 CT	1	Stk
42,0001,4048	Gasdüse ø15/ø25x59 CT	1	Stk
42,0001,4474	Gasdüse ø15/ø25x61 CT	1	Stk
42,0001,4496	Gasdüse ø15/ø25x61 CT/C	1	Stk
42,0001,4051	Gasdüse ø15/ø25x63 CT	1	Stk
42,0001,4052	Gasdüse ø15/ø25x68 CT	1	Stk
42,0001,4788	Gasdüse ø15/ø25x71 CT	1	Stk
42,0001,4475	Gasdüse ø15/ø25x73 CT	1	Stk
42,0001,4495	Gasdüse ø15/ø25x73 CT/C	1	Stk
42,0001,4045	Gasdüse ø15/ø25x75 CT	1	Stk
42,0001,4047	Gasdüse ø15/ø25x80 CT	1	Stk
42,0001,4789	Gasdüse ø15/ø27x61 CT HD	1	Stk
44,0350,2020	Gasdüse ø15/ø27x67 CT	1	Stk
42,0001,4790	Gasdüse ø15/ø27x73 CT HD	1	Stk
44,0350,1991	Gasdüse ø15/ø27x74 CT	1	Stk
44,0350,1987	Gasdüse ø15/ø27x80,5 CT	1	Stk
44,0350,1988	Gasdüse ø15/ø27x82,5 CT	1	Stk
42,0001,4476	Gasdüse ø17/ø25x61 CT	1	Stk
42,0001,4494	Gasdüse ø17/ø25x61 CT/C	1	Stk
42,0001,4050	Gasdüse ø17/ø25x63 CT	1	Stk
42,0001,4049	Gasdüse ø17/ø25x68 CT	1	Stk
42,0001,4043	Gasdüse ø17/ø25x75 CT	1	Stk
44,0350,2021	Gasdüse ø17/ø27x67 CT	1	Stk
44,0350,1995	Gasdüse ø17/ø27x74 CT	1	Stk
44,0350,3179	Gasdüse ø17/ø27x83,5 CT	1	Stk
44,0350,2036	Gasdüse ø17/ø27x85	1	Stk
44,0350,3180	Gasdüse ø18/ø27x87,5 CT	1	Stk
42,0001,6208	Gaszapfen FSC-W	1	Stk
40,0001,0529,010	Graphitseele 0,8(4,7/1,2) 10m	1	Stk
40,0001,0529,030	Graphitseele 0,8(4,7/1,2) 30m	1	Stk



# MTW 250d /F++/3,5m/45° (4,035,945,000)

Artikelnr.	Bezeichnung	Menge	Einheit
40,0001,0529,100	Graphitseele 0,8(4,7/1,2) 100m	1	Stk
40,0001,0530,010	Graphitseele 1,0(4,7/1,5) 10m	1	Stk
40,0001,0530,030	Graphitseele 1,0(4,7/1,5) 30m	1	Stk
40,0001,0530,100	Graphitseele 1,0(4,7/1,5) 100m	1	Stk
40,0001,0531,010	Graphitseele 1,2(4,7/1,8) 10m	1	Stk
40,0001,0531,030	Graphitseele 1,2(4,7/1,8) 30m	1	Stk
40,0001,0531,100	Graphitseele 1,2(4,7/1,8) 100m	1	Stk
40,0001,0532,010	Graphitseele 1,6(4,7/2,4) 10m	1	Stk
40,0001,0532,030	Graphitseele 1,6(4,7/2,4) 30m	1	Stk
40,0001,0532,100	Graphitseele 1,6(4,7/2,4) 100m	1	Stk
40,0001,0533,010	Graphitseele 2,0(4,7/3,0) 10m	1	Stk
40,0001,0533,030	Graphitseele 2,0(4,7/3,0) 30m	1	Stk
40,0001,0533,100	Graphitseele 2,0(4,7/3,0) 100m	1	Stk
32,0405,0360	Griffschale W5 R/L	1	Stk
32,0405,0358	Griffschale W5 UP/DOWN R/L	1	Stk
42,0100,1320	Isolerring ø17,8/14x10,8	1	Stk
42,0407,0100	KABELBINDER 150	1	Stk
42,0407,0245	Klemme 1Ohr 7,0/ø5,8-7,9	1	Stk
42,0407,0284	Klemme 1Ohr 9,0/ø7,3-9,0	3	Stk
42,0404,0387	Knickschutzfeder Ø41/45x140	1	Stk
42,0402,1005	KNICKSCHUTZ W5	1	Stk
44,0350,5550	Kombiseele G /0,8/2,0m	1	Stk
44,0350,5513	Kombiseele G /0,8/3,8m	1	Stk
44,0350,5518	Kombiseele G /0,8/4,8m	1	Stk
44,0350,5551	Kombiseele G /1,0/2,0m	1	Stk
44,0350,5514	Kombiseele G /1,0/3,8m	1	Stk
44,0350,5519	Kombiseele G /1,0/4,8m	1	Stk
44,0350,5552	Kombiseele G /1,2/2,0m	1	Stk
44,0350,5515	Kombiseele G /1,2/3,8m	1	Stk
44,0350,5520	Kombiseele G /1,2/4,8m	1	Stk
44,0350,5553	Kombiseele G /1,6/2,0m	1	Stk
44,0350,5516	Kombiseele G /1,6/3,8m	1	Stk
44,0350,5521	Kombiseele G /1,6/4,8m	1	Stk
44,0350,5554	Kombiseele G /2,0/2,0m	1	Stk

# MTW 250d /F++/3,5m/45° (4,035,945,000)

Artikelnr.	Bezeichnung	Menge	Einheit
44,0350,5517	Kombiseele G /2,0/3,8m	1	Stk
44,0350,5522	Kombiseele G /2,0/4,8m	1	Stk
44,0350,3400	Kombiseele G Al /0,8/2,0m	1	Stk
44,0350,3404	Kombiseele G Al /0,8/3,8m	1	Stk
44,0350,3408	Kombiseele G Al /0,8/4,8m	1	Stk
44,0350,3401	Kombiseele G Al /1,0/2,0m	1	Stk
44,0350,3405	Kombiseele G Al /1,0/3,8m	1	Stk
44,0350,3409	Kombiseele G Al /1,0/4,8m	1	Stk
44,0350,3402	Kombiseele G Al /1,2/2,0m	1	Stk
44,0350,3406	Kombiseele G Al /1,2/3,8m	1	Stk
44,0350,3410	Kombiseele G Al /1,2/4,8m	1	Stk
44,0350,3403	Kombiseele G Al /1,6/2,0m	1	Stk
44,0350,3407	Kombiseele G Al /1,6/3,8m	1	Stk
44,0350,3411	Kombiseele G Al /1,6/4,8m	1	Stk
44,0350,3618	Kombiseele G Al /2,0/2,0m	1	Stk
44,0350,3619	Kombiseele G Al /2,0/3,8m	1	Stk
44,0350,3620	Kombiseele G Al /2,0/4,8m	1	Stk
44,0350,3388	Kombiseele W Al /0,8/2,0m	1	Stk
44,0350,3392	Kombiseele W Al /0,8/3,8m	1	Stk
44,0350,3396	Kombiseele W Al /0,8/4,8m	1	Stk
44,0350,3389	Kombiseele W Al /1,0/2,0m	1	Stk
44,0350,3393	Kombiseele W Al /1,0/3,8m	1	Stk
44,0350,3397	Kombiseele W Al /1,0/4,8m	1	Stk
44,0350,3390	Kombiseele W Al /1,2/2,0m	1	Stk
44,0350,3394	Kombiseele W Al /1,2/3,8m	1	Stk
44,0350,3398	Kombiseele W Al /1,2/4,8m	1	Stk
44,0350,3391	Kombiseele W Al /1,6/2,0m	1	Stk
44,0350,3395	Kombiseele W Al /1,6/3,8m	1	Stk
44,0350,3399	Kombiseele W Al /1,6/4,8m	1	Stk
44,0350,3615	Kombiseele W Al /2,0/2,0m	1	Stk
44,0350,3616	Kombiseele W Al /2,0/3,8m	1	Stk
44,0350,3617	Kombiseele W Al /2,0/4,8m	1	Stk
42,0001,6537,10	Kontaktr. 0,8/M8x1,5/ø10x32 Al	1	ve
42,0001,7028,10	Kontaktr.0,9/M8x1,5/ø10x32/SQ	1	ve

# MTW 250d /F++/3,5m/45° (4,035,945,000)

Artikelnr.	Bezeichnung	Menge	Einheit
42,0001,4750,10	Kontaktr. 1,0/M8x1,5/ø10x32 Al	1	ve
42,0001,7029,10	Kontaktr.1,0/M8x1,5/ø10x32/SQ	1	ve
42,0001,4751,10	Kontaktr. 1,2/M8x1,5/ø10x32 Al	1	ve
42,0001,7030,10	Kontaktr.1,2/M8x1,5/ø10x32/SQ	1	ve
42,0001,4752,10	Kontaktr.1,6/M8x1,5/ø10x32 Al	1	ve
42,0001,4928	Kontaktrohr 0,6/M6/8x24mm	1	Stk
42,0001,6524,10	Kontaktrohr 0,7/M6/8x24mm	1	ve
42,0001,6482,10	Kontaktrohr 0,7/M8x1,5/ø10x32	1	ve
42,0001,4461,10	Kontaktrohr 0,8/M6/ø8x24	1	ve
42,0001,6525,10	Kontaktrohr 0,8/M6/ø8x24 Al	1	ve
42,0001,6464,10	Kontaktrohr 0,8/M8x1,5/ø10x32	1	ve
42,0001,4462,10	Kontaktrohr 0,9/M6/ø8x24	1	ve
42,0001,7025,10	Kontaktrohr 0,9/M6/ø8x24/SQ	1	ve
42,0001,6465,10	Kontaktrohr 0,9/M8x1,5/ø10x32	1	ve
42,0001,4463,10	Kontaktrohr 1,0/M6/ø8x24	1	ve
42,0001,6526,10	Kontaktrohr 1,0/M6/ø8x24 Al	1	ve
42,0001,7026,10	Kontaktrohr 1,0/M6/ø8x24/SQ	1	ve
42,0001,6466,10	Kontaktrohr 1,0/M8x1,5/ø10x32	1	ve
42,0001,6527,10	Kontaktrohr 1,1/M6/ø8x24	1	ve
42,0001,6483,10	Kontaktrohr 1,1/M8x1,5/ø10x32	1	ve
42,0001,4464,10	Kontaktrohr 1,2/M6/ø8x24	1	ve
42,0001,6528,10	Kontaktrohr 1,2/M6/ø8x24 Al	1	ve
42,0001,7027,10	Kontaktrohr 1,2/M6/ø8x24/SQ	1	ve
42,0001,6467,10	Kontaktrohr 1,2/M8x1,5/ø10x32	1	ve
42,0001,6529,10	Kontaktrohr 1,3/M6/ø8x24	1	ve
42,0001,6484,10	Kontaktrohr 1,3/M8x1,5/ø10x32	1	ve
42,0001,4465,10	Kontaktrohr 1,4/M6/ø8x24	1	ve
42,0001,6468,10	Kontaktrohr 1,4/M8x1,5/ø10x32	1	ve
42,0001,6522,10	Kontaktrohr 1,5/M6/ø8x24	1	ve
42,0001,6485,10	Kontaktrohr 1,5/M8x1,5/ø10x32	1	ve
42,0001,4466,10	Kontaktrohr 1,6/M6/ø8x24	1	ve
42,0001,6523,10	Kontaktrohr 1,6/M6/ø8x24 Al	1	ve
42,0001,6469,10	Kontaktrohr 1,6/M8x1,5/ø10x32	1	ve
42,0001,6470,10	Kontaktrohr 1,8/M8x1,5/ø10x32	1	ve

# MTW 250d /F++/3,5m/45° (4,035,945,000)

Artikelnr.	Bezeichnung	Menge	Einheit
42,0001,6471,10	Kontaktrohr 2,0/M8x1,5/ø10x32	1	ve
42,0001,6472,10	Kontaktrohr 2,4/M8x1,5/ø10x32	1	ve
42,0001,4642,10	Kontaktrohr 2,8/M8x1,5/ø10x32	1	ve
44,0350,3251	MTW 250i/45°/L139/H75	1	Stk
42,0201,3216	Multitool TB wear parts	1	Stk
42,0402,0258	O-Ring 4x1,2mm FKM	1	Stk
42,0402,0313	O-Ring Iø10,5x1,5 FKM	1	Stk
42,0402,0316	O-Ring Iø17x1,3 FKM	1	Stk
42,0402,0305	O-Ring Iø21x1,5 FKM	1	Stk
42,0402,0304	O-Ring Iø25x1,5 FKM	1	Stk
42,0402,0286	O-Ring Ø7,5x1,5mm NBR70	1	Stk
4,070,900,Z	PRINT JM3T Geprüft	1	Stk
4,070,629,Z	PRINT UPDO1A Geprüft	1	Stk
44,0450,1938	Rollgabel-Einsteckwerkzeug	1	Stk
40,0001,0524	Schlauch PE 6,0x1,1mm	3,22	m
40,0001,0310	Schlauch VINNY 5x1.5 schwarz	3,55	m
40,0001,0310	Schlauch VINNY 5x1.5 schwarz	0,45	m
42,0401,0936	Schraube PT 2,5X12 T8 Delta sw	3	Stk
44,0350,1804	SCHUTZSCHL. 26x1,5 3,5M W5	1	Stk
44,0350,1805	SCHUTZSCHL. 26x1,5 4,5M W5	1	Stk
42,0401,0220	Senkschraube DIN 965A M4x8	1	Stk
42,0001,4717	Spannm. Euro Kunststoffseele	1	Stk
42,0400,1024	Spannmutter f. Düse M5x17	1	Stk
44,0350,3703	Spannnippel 0,8/E	1	Stk
44,0350,3704	Spannnippel 1,0/E	1	Stk
44,0350,3705	Spannnippel 1,2/E	1	Stk
44,0350,3706	Spannnippel 1,6/E	1	Stk
42,0001,4512	Spannstück Seele Aø4,6 - ø4,8	1	Stk
42,0001,5833	Spannstück Seele Aø4,1-4,3	1	Stk
42,0001,3583	Spannstück Seele Aø4,7-4,9	1	Stk
42,0001,4718	Spannz.Euro Kunstst.Seele ø4,7	1	Stk
42,0100,0531	Spritzerschutzø9,2/ø17,2x17 HD	1	Stk
42,0100,0552	Spritzerschutz ø9,2/ø17,2x17	1	Stk
40,0002,0040,005	Stahlseele blank 0,8 / 5m	1	Stk

# MTW 250d /F++/3,5m/45° (4,035,945,000)

Artikelnr.	Bezeichnung	Menge	Einheit
40,0002,0040,015	Stahlseele blank 0,8 / 15m	1	Stk
40,0002,0040,050	Stahlseele blank 0,8 / 50m	1	Stk
40,0002,0041,005	Stahlseele blank 1,0 / 5m	1	Stk
40,0002,0041,015	Stahlseele blank 1,0 / 15m	1	Stk
40,0002,0041,050	Stahlseele blank 1,0 / 50m	1	Stk
40,0002,0042,005	Stahlseele blank 1,2 / 5m	1	Stk
40,0002,0042,015	Stahlseele blank 1,2 / 15m	1	Stk
40,0002,0042,050	Stahlseele blank 1,2 / 50m	1	Stk
40,0002,0043,005	Stahlseele blank 1,6 / 5m	1	Stk
40,0002,0043,015	Stahlseele blank 1,6 / 15m	1	Stk
40,0002,0043,050	Stahlseele blank 1,6 / 50m	1	Stk
40,0002,0052,005	Stahlseele C 0,8 / 5 m	1	Stk
40,0002,0052,015	Stahlseele C 0,8 / 15 m	1	Stk
40,0002,0052,050	Stahlseele C 0,8 / 50 m	1	Stk
40,0002,0053,005	Stahlseele C 1,0 / 5 m	1	Stk
40,0002,0053,015	Stahlseele C 1,0 / 15 m	1	Stk
40,0002,0053,050	Stahlseele C 1,0 / 50 m	1	Stk
40,0002,0054,005	Stahlseele C 1,2 / 5 m	1	Stk
40,0002,0054,015	Stahlseele C 1,2 / 15 m	1	Stk
40,0002,0054,050	Stahlseele C 1,2 / 50 m	1	Stk
40,0002,0055,005	Stahlseele C 1,6 / 5 m	1	Stk
40,0002,0055,015	Stahlseele C 1,6 / 15 m	1	Stk
40,0002,0055,050	Stahlseele C 1,6 / 50 m	1	Stk
42,0405,0685	Steckersockel FSC	1	Stk
42,0001,1506	STECKNIPPEL D=5/ D=9x32mm	2	Stk
43,0004,5378	STEUERL. 2x1 3,27M	1	Stk
43,0004,5379	STEUERL. 2x1 4,27M	1	Stk
43,0004,1844	STEUERL. 6x0,25 JOB.M. 3,5M	1	Stk
43,0004,1845	STEUERL. 6x0,25 JOB.M. 4,5M	1	Stk
43,0004,1875	STEUERL. 6x0,25 U/D 3,5M	1	Stk
43,0004,1876	STEUERL. 6x0,25 U/D 4,5M	1	Stk
43,0004,5295	Steuerleitung 2x0,75 CPC	1	Stk
43,0003,0486	STIFTKONTAKT C 1 CPC	1	Stk
44,0350,3436	Stromk. w 10/3,15m	1	Stk

## MTW 250d /F++/3,5m/45° (4,035,945,000)

Artikelnr.	Bezeichnung	Menge	Einheit
44,0350,3437	Stromk. w 10/4,15m	1	Stk
44,0350,3438	Stromk. w 16/3,15m	1	Stk
44,0350,3439	Stromk. w 16/4,15m	1	Stk
44,0350,3563	Stromk. w 25/3,15m	1	Stk
44,0350,3564	Stromk. w 25/4,15m	1	Stk
43,0002,0522	Taster BT1 Single Action	1	Stk
32,0402,1008	TASTER JOBMASTER W5	1	Stk
32,0402,1006	TASTER UP/DOWN W5	1	Stk
42,0405,0561	Überwurfmutter M33x2	1	Stk
42,0405,0560	Überwurfmutter M40x1,5 20x18°	1	Stk
42,0100,1370	Verbindungsst. uni. zu Seele	1	Stk
42,0405,0548	Verschlusskappe f. Stecknippel	1	Stk
42,0405,1021	VERSCHLUSSRING FÜR GRIFFSCH.W5	1	Stk
44,0350,3736	ZA F++ - TPSi	1	Stk
44,0350,3751	Zentrala. Euro - W man. TPSi	1	Stk
44,0350,3245	Zentrala. FSC-W man TPSi	1	Stk
42,0407,0438	Zylinderstift DIN6325 2m6x18mm	1	Stk
42,0407,0638	Zylinderstift ø2x14mm 6325 C	1	Stk